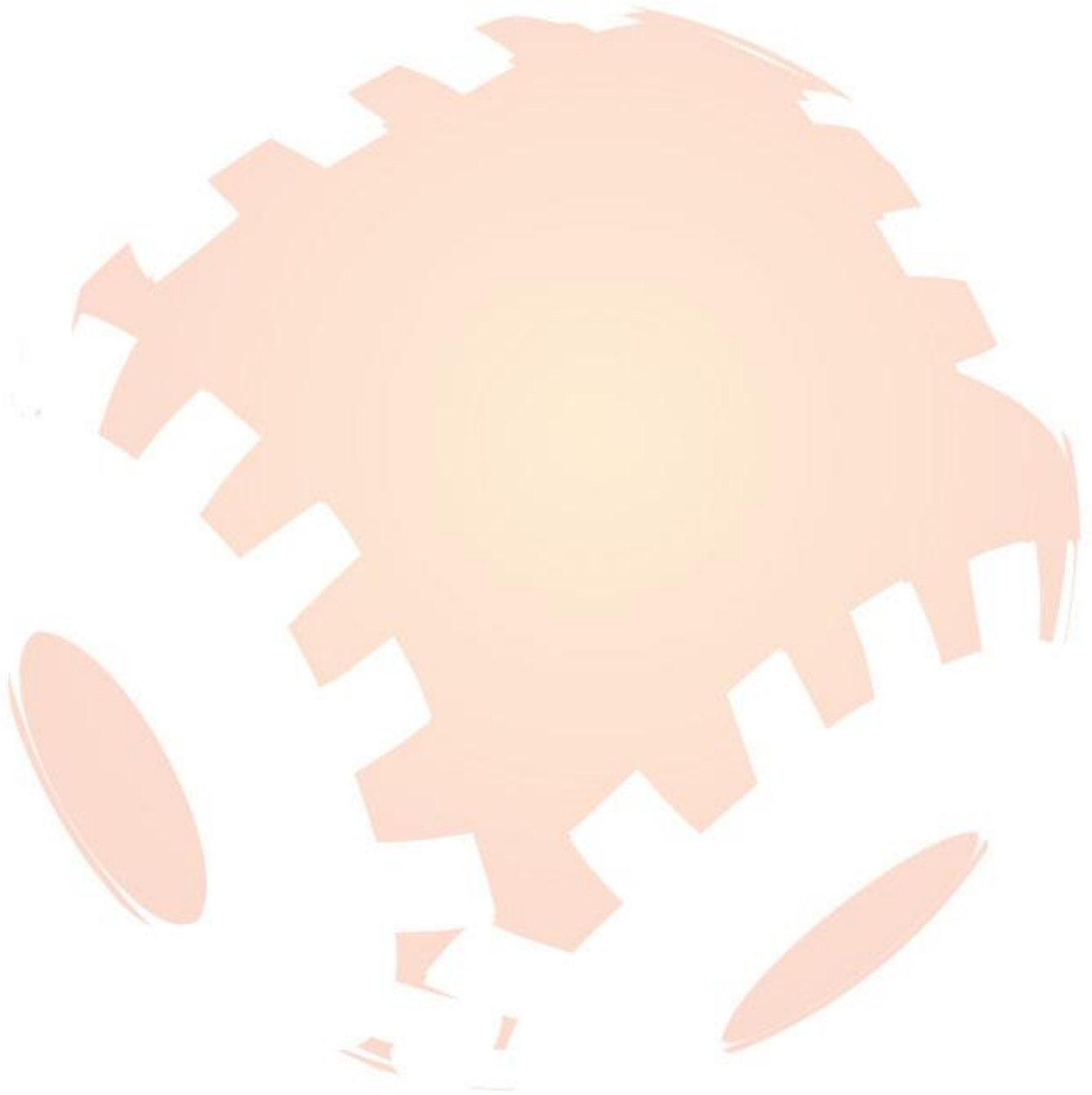


T&T

R&D, Project Management and Consulting

Cartridge Catalogue

Version 4-2019



Note: Other catalogues for variables are available on request.

© T&T, Turnov s.r.o.

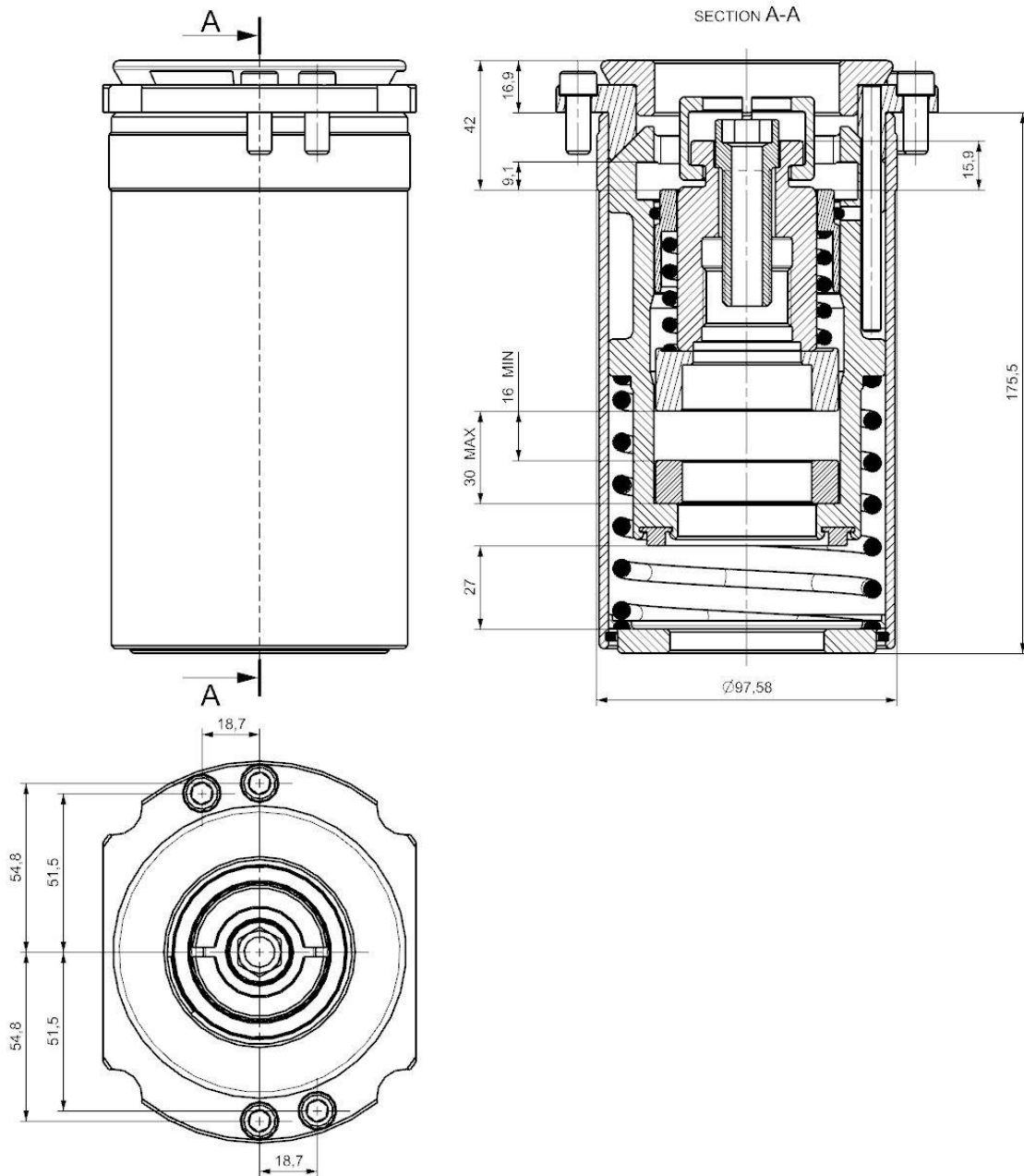
QUICK CHANGE CARTRIDGE B&B

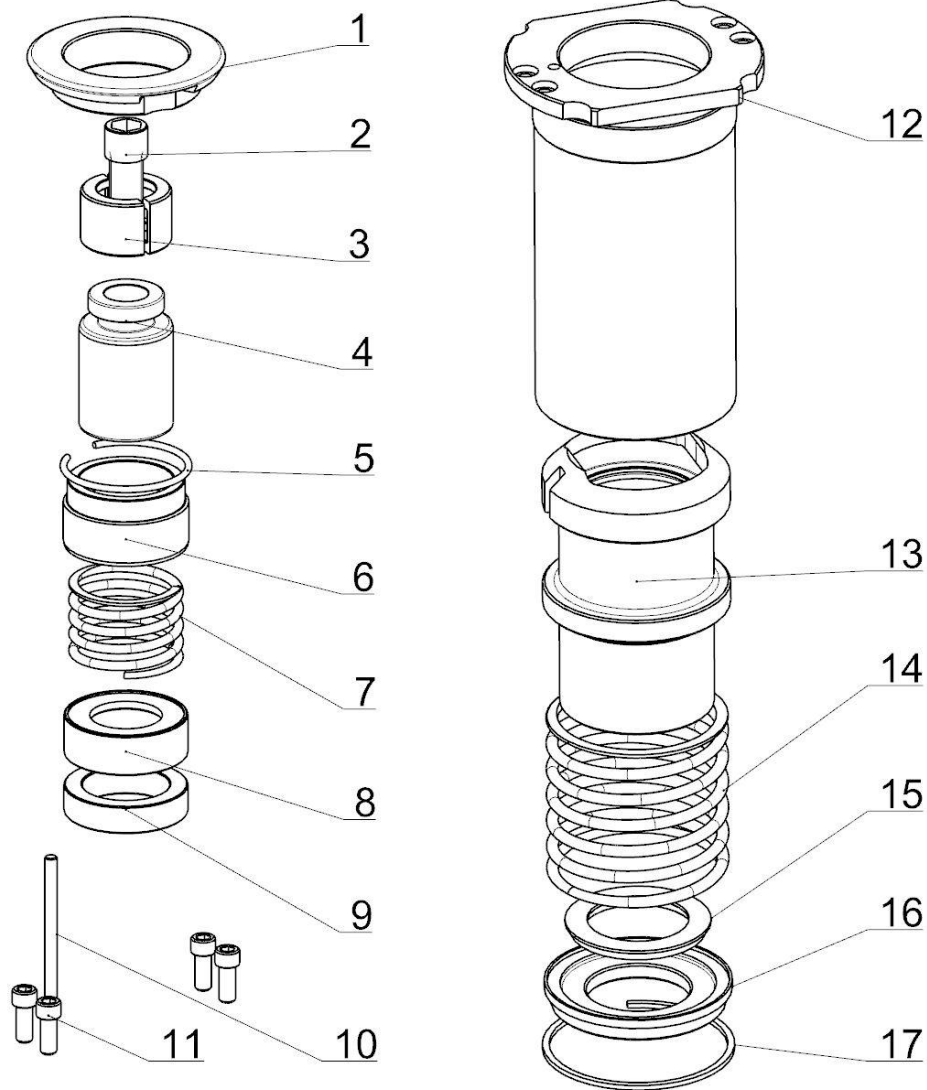
TYPE – DG 4 1/4", DG 5", TG 4 1/4"

for GPS IS machine

plunger adapter with clamp ring

No. T90003443 (GPS No. 07117610)





ITEM NO.	PART NO.	DESCRIPTION	QTY.
1	T90000012	COVER RING	1
2	T90003169	LOCK SCREW	1
3	T90003172	CLAMP RING	1
4	T90003170	PLUNGER ADAPTER	1
5	T50000000	ROUND WIRE RING	1
6	T90003182	THIMBLE LOCKING SLEEVE	1
7	T90003179	SPRING	1
8	T90003173	SPRING LOCATOR	1
9	T90003178	RING 14 mm	1
10	T50000004	PIN 6x80	1
11	T50003169	SCREW 5/16"-18 x 3/4" UNC	4
12	T90003442	GUIDE FLANGE	1
13	T90003177	SOLID	1
14	T90000014	SPRING	1
15	T90000009	DAMPING RING	1
16	T90000816	SPRING LOCATOR	1
17	T50000001	SNAP RING	1

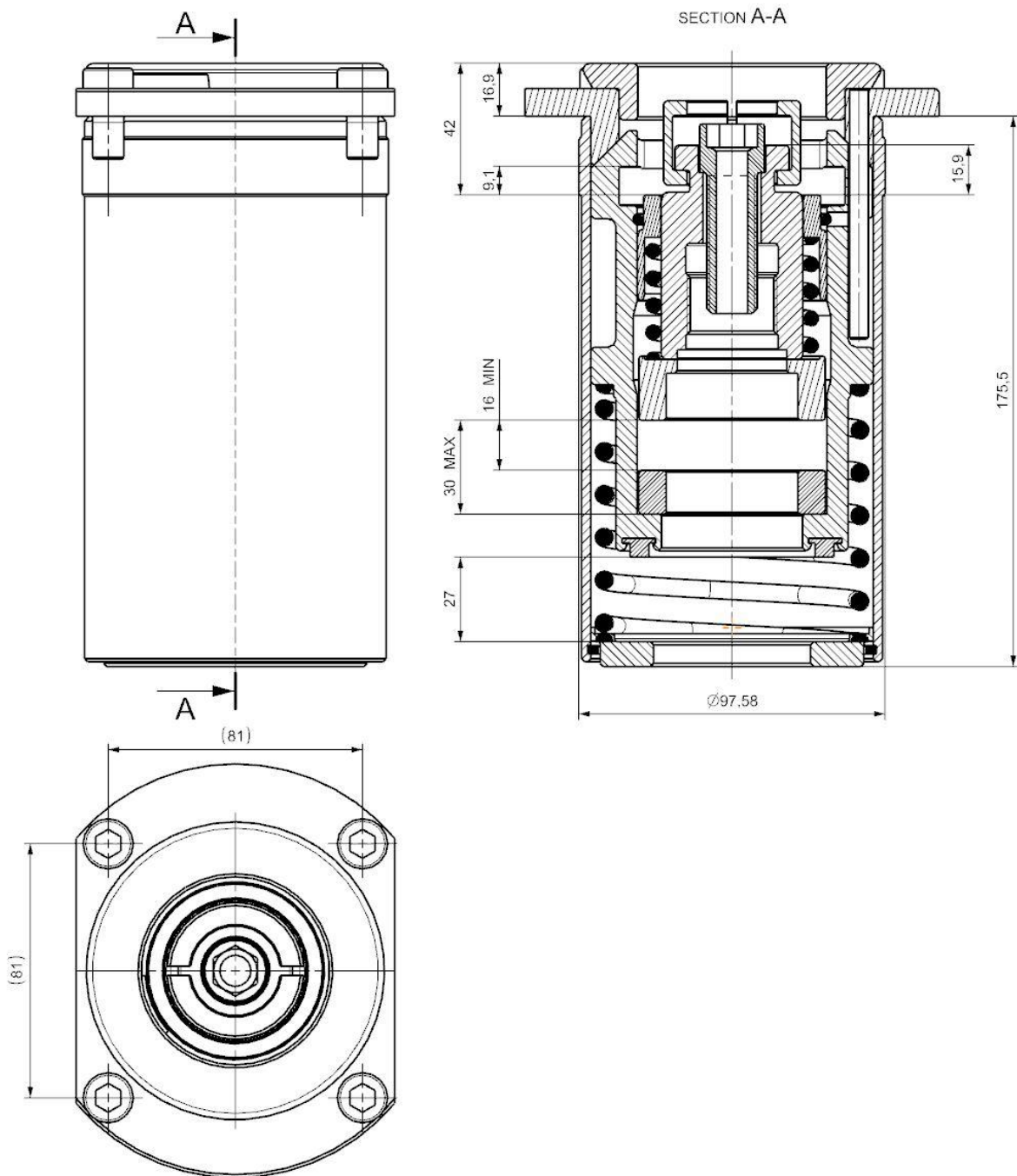
QUICK CHANGE CARTRIDGE B&B

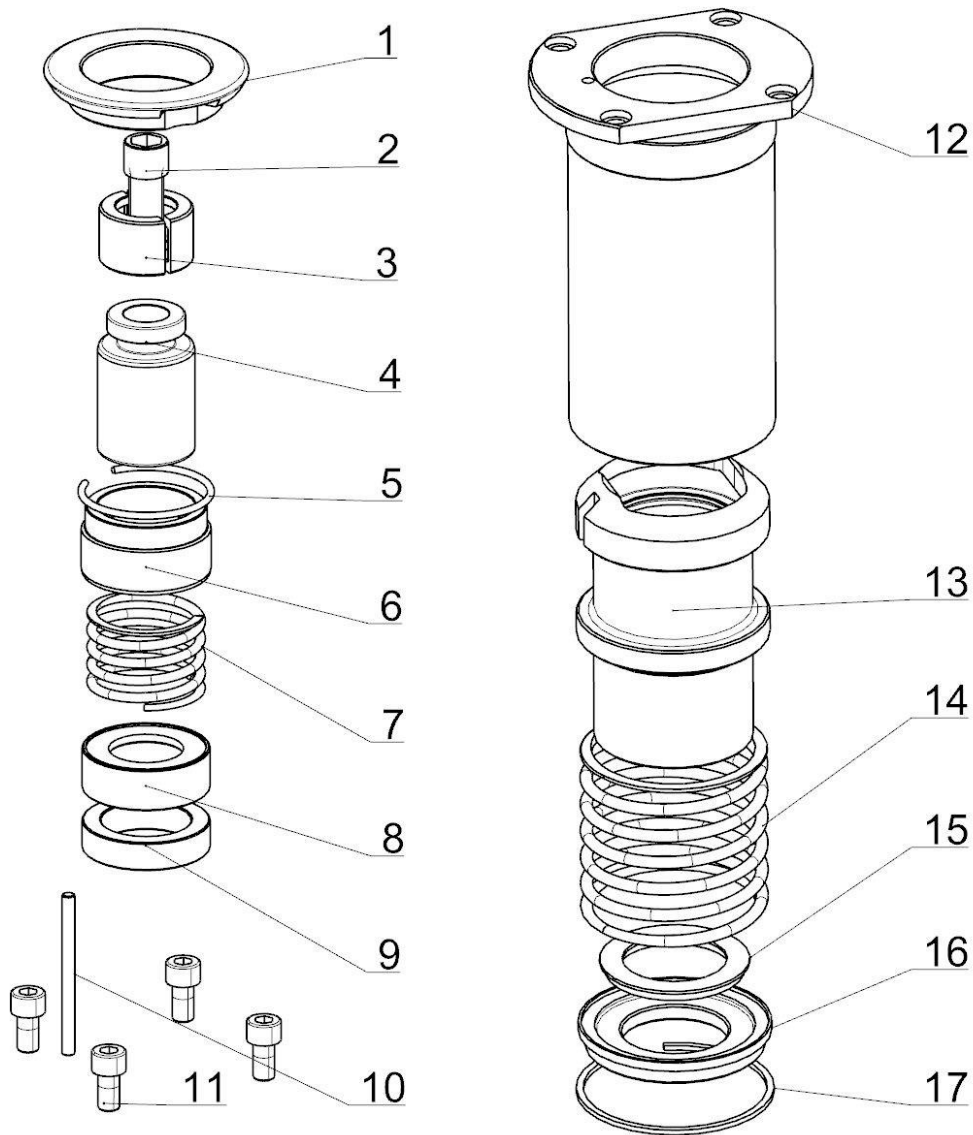
TYPE – DG 4 1/4", DG 5", TG 4 1/4"

for GPS IS machine

plunger adapter with clamp ring

No. T90003451 (GPS No. 07117615)





ITEM NO.	PART NO.	DESCRIPTION	QTY.
1	T90000012	COVER RING	1
2	T90003169	LOCK SCREW	1
3	T90003172	CLAMP RING	1
4	T90003170	PLUNGER ADAPTER	1
5	T50000000	ROUND WIRE RING	1
6	T90003182	THIMBLE LOCKING SLEEVE	1
7	T90003179	SPRING	1
8	T90003173	SPRING LOCATOR	1
9	T90003178	RING 14 mm	1
10	T50000004	PIN 6x80	1
11	T50001400	SCREW 3/8"-16 x 3/4" UNC	4
12	T90003450	GUIDE FLANGE	1
13	T90003177	SOLID	1
14	T90000014	SPRING	1
15	T90000009	DAMPING RING	1
16	T90000816	SPRING LOCATOR	1
17	T50000001	SNAP RING	1